



This article needs some TLC. Read at your own risk.

## ColecoVision

The ColecoVision is a second-generation video-game console produced by Coleco Industries. It retailed for \$174.99 and had a Zilog Z80 CPU at 3.58 MHz with 8KB of RAM. Due to poor sales of the console (maybe related to the video-game crash in North America) Coleco Industries filed for bankruptcy soon after. It was notable for providing a close-to-arcade experiences for some games. Masayuki Uemura, head of Famicom development, stated that the ColecoVision set the bar that influenced how he approached the creation of the Famicom.



Coleco released the Expansion Module #1 that allowed the ColecoVision to play Atari 2600 games. [Atari did not like this](#), settling out of court with Coleco to be licensed under Atari's patents.

The Expansion Module #3 would be released that would convert the ColecoVision into the [Coleco Adam home computer](#).

This system scrapes metadata for the colecovision group(s) and loads the colecovision set from the currently selected theme, if available.

### Quick reference

- **Emulator:** [RetroArch](#) or [CLK](#)
- **Core:** [libretro: bluemsx](#)
- **Folder:** /userdata/roms/colecovision
- **Accepted ROM formats:** .bin, .col, .rom, .zip, .7z

CLK has been added with Batocera 42.

### BIOS

Retroarch ColecoVision emulator in Batocera needs no BIOS file to run.

CLK requires the following BIOS file:

MD5 checksum	Share file path	Description
2c66f5911e5b42b8ebe113403548eee7	bios/ColecoVision/coleco.rom	Only required for CLK

## ROMs


Place your ColecoVision ROMs in /userdata/roms/colecovision.

## Emulators

### RetroArch

[RetroArch](#) (formerly SSNES), is a ubiquitous frontend that can run multiple “cores”, which are essentially the emulators themselves. The most common cores use the [libretro](#) API, so that's why cores run in RetroArch in Batocera are referred to as “libretro: (core name)”. RetroArch aims to unify the feature set of all libretro cores and offer a universal, familiar interface independent of platform.

### RetroArch configuration

RetroArch offers a **Quick Menu** accessed by pressing [HOTKEY] +  which can be used to alter various things like [RetroArch and core options](#), and [controller mapping](#). Most RetroArch related settings can be altered from Batocera's EmulationStation.

Standardized features available to all cores of this emulator: `colecovision.videomode`, `colecovision.ratio`, `colecovision.smooth`, `colecovision.shaders`, `colecovision.pixel_perfect`, `colecovision.decoration`, `colecovision.game_translation`

ES setting name batocera.conf key	Description ⇒ ES option key value
<b>Settings that apply to all cores of this emulator</b>	
<b>GRAPHICS BACKEND</b> <code>colecovision.gfxbackend</code>	Choose your graphics rendering ⇒ OpenGL <code>opengl</code> , Vulkan <code>vulkan</code> .
<b>AUDIO LATENCY</b> <code>colecovision.audio_latency</code>	Audio latency in milliseconds, turn it up if you hear crackles ⇒ 256 256, 192 192, 128 128, 64 64, 32 32, 16 16, 8 8.

### libretro: Bluemsx

#### libretro: Bluemsx configuration

ES setting name batocera.conf key	Description ⇒ ES option key value
<b>Settings that apply to all systems this core supports</b>	

ES setting name batocera.conf key	Description → ES option key value
<b>REDUCE SPRITE FLICKERING</b> colecovision.bluemxs_nospritelimits	Remove the 4 sprite per line limit ⇒ Off False, On True.

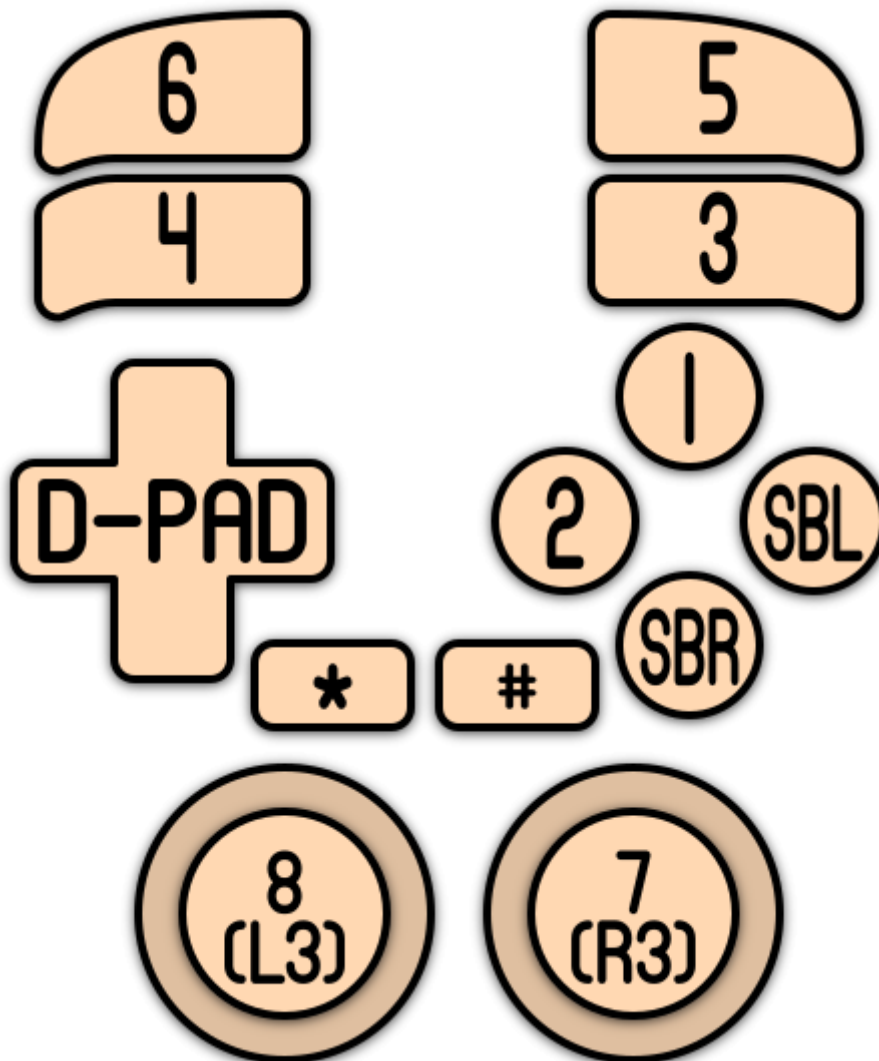
### CLK

CLK aka Clock Signal is a multi-system emulator that is focused on low-latency emulation, that can be used for ColecoVision. CLK has been added to Batocera 42.

## Controls

The original controller has 2 side buttons (Side Button Left and Side Button Right) and a keyboard with 10 numeric values and 2 symbols. Only a fraction of these controls can be mapped to a standard controller, so 9 and 0 are missing in the default layout.

The default button mapping for the ColecoVision's controls is as follows:



# Troubleshooting

For further troubleshooting, refer to the [generic support pages](#).

From:

<https://wiki.batocera.org/> - **Batocera.linux** - Wiki

Permanent link:

<https://wiki.batocera.org/systems:colecovision?rev=1756245734>

Last update: **2025/08/26 22:02**

